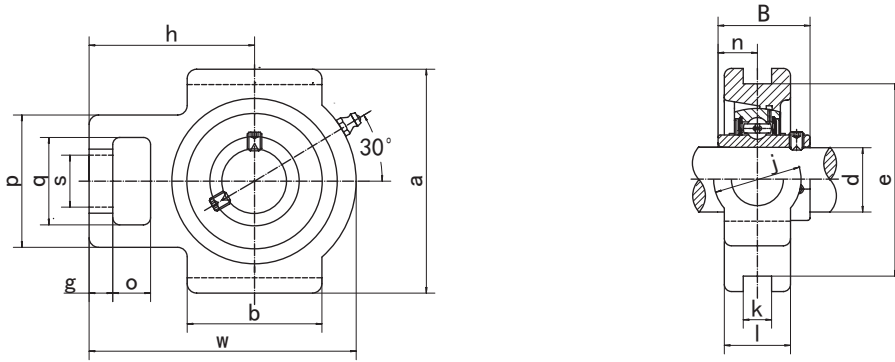


# Take-up Units

## UCTX(Medium-duty)



Unit NO.	Dimensions ( mm / in. )																Bearing No.	Housing No.	Weight (kg)
	d	o	g	p	q	s	b	k	e	a	w	j	l	h	B	n			
<b>UCTX05</b> X05-13 X05-14 X05-15 X05-16	25 13/16 7/8 15/16 1	16	12	56	37	22	57	12	89	102	113	28	37	70	38.1	15.9	<b>UCTX05</b> UCX05-13 UCX05-14 UCX05-15 UCX05-16	TX05	1.30
<b>UCTX06</b> X06-17 X06-18 X06-19 X06-20	30 1-1/16 1-1/8 1-3/16 1-1/4	16	15	64	37	22	64	12	89	102	129	30	37	78	42.9	17.5	<b>UCTX06</b> UCX06-17 UCX06-18 UCX06-19 UCX06-20	TX06	1.60
<b>UCTX07</b> X07-21 X07-22 X07-23	35 1-5/16 1-3/8 1-7/16	19	17	83	49	29	83	16	102	114	144	36	49	88	49.2	19	<b>UCTX07</b> UCX07-21 UCX07-22 UCX07-23	TX07	2.60
<b>UCTX08</b> X08-24 X08-25	40 1-1/2 1-9/16	19	17	83	49	29	83	16	102	117	144	36	49	87	49.2	19	<b>UCTX08</b> UCX08-24 UCX08-25	TX08	2.50
<b>UCTX09</b> X09-26 X09-27 X09-28 X09-29	45 1-5/8 1-11/16 1-3/4 1-13/16	19	18	83	49	29	86	16	102	117	151	38	49	92	51.6	19	<b>UCTX09</b> UCX09-26 UCX09-27 UCX09-28 UCX09-29	TX09	2.70
<b>UCTX10</b> X10-30 X10-31 X10-32	50 1-7/8 1-15/16 2	25	21	102	64	35	95	22	130	146	171	42	64	106	55.6	22.2	<b>UCTX10</b> UCX10-30 UCX10-31 UCX10-32	TX10	4.20
<b>UCTX11</b> X11-33 X11-34 X11-35 X11-36 X11-37	55 2-1/16 2-1/8 2-3/16 2-1/4 2-5/16	32	21	102	64	35	102	22	130	146	194	44	64	119	65.1	25.4	<b>UCTX11</b> UCX11-33 UCX11-34 UCX11-35 UCX11-36 UCX11-37	TX11	4.90
<b>UCTX12</b> X12-38 X12-39	60 2-3/8 2-7/16	32	23	111	70	41	121	26	151	167	224	48	70	137	65.1	25.4	<b>UCTX12</b> UCX12-38 UCX12-39	TX12	7.30
<b>UCTX13</b> X13-40 X13-41	65 2-1/2 2-9/16	32	23	111	70	41	121	26	151	167	224	48	70	137	74.6	30.2	<b>UCTX13</b> UCX13-40 UCX13-41	TX13	7.10
<b>UCTX14</b> X14-42 X14-43 X14-44	70 2-5/8 2-11/16 2-3/4	32	23	111	70	41	121	26	151	167	232	48	70	140	77.8	33.3	<b>UCTX14</b> UCX14-42 UCX14-43 UCX14-44	TX14	7.30
<b>UCTX15</b> X15-45 X15-46 X15-47 X15-48	75 2-13/16 2-7/8 2-15/16 3	32	23	111	70	41	121	28	165	184	235	48	70	140	82.6	33.3	<b>UCTX15</b> UCX15-45 UCX15-46 UCX15-47 UCX15-48	TX15	8.00
<b>UCTX16</b> X16-49 X16-50 X16-51 X16-52	80 3-1/16 3-1/8 3-3/16 3-1/4	38	30	124	73	48	157	28	173	198	260	54	73	162	85.7	34.1	<b>UCTX16</b> UCX16-49 UCX16-50 UCX16-51 UCX16-52	TX16	11.40
<b>UCTX17</b> X17-53 X17-55	85 3-5/16 3-7/16	38	30	124	73	48	157	28	173	198	260	54	73	162	96	39.7	<b>UCTX17</b> UCX17-53 UCX17-55	TX17	11.30