

















Spherical Plain Bearings & Rod Ends

Bearings type	Description		SINOTI Name	Equivalent to...Number			Outer Diameter Range	Description
				SKF	INA	IKO		
Spherical Plain Bearing		Steel-on-Steel Type	GE..E	GE..E	GE..DO GE.DO-2RS GE..FO GE..ZO	GE..E	6-300 mm	Steel on steel, phosphate treatment
			GE..ES	GE..ES		GE..ES		Steel on Steel
			GE..ES-2RS	GE..ES-2RS		GE..ES-2RS		Steel on steel, with seals
			GEG..ES	GEH..ES		GE ..G		Steel on steel
			GEZ..ES	GEZ..ES		SBB..-2RS		Steel on steel, Inch series
			GEEW..ES	GEG..ES	GE..LO	PB	12-320 mm	Steel on Steel, inner ring with cylindrical extension
		Inch Spherical Bearing	COM COM..T				4.826-25.4 0 mm	Inch series, without phosphate treatment
	Maintenance-Free Spherical Bushings	GE..C GEG...C	GE...C GEH...C	GE...UK GE...FW	GE...EC	5-35 mm	Maintenance free type, with PTFE liner	
		GHM...T				6.350-22.2 25 mm	Maintenance free, high Misalignment	
	Pillball Spherical Bushings Insert Type	GEBK			PB	5-35 mm	With copper alloy race inserted	



Bearings type	Description	SINOTI Name	Equivalent to...Number			Outer Diameter Range	Description
			SKF	INA	IKO		
ROD ENDS	 Maintenance-Free Rod Ends	SI..T/K	SIKB..F	GIKFR..PW		5-35 mm	With PTFE, outer ring made of copper alloy
		SA..T/K	SAKB..F	GAKFR...PW			
	 Rod Ends (Lubricant type)	PHS..	SIKAC..M	GIKFR...PB	PHS...	5-35 mm	Steel on bronze
		PHSB..			PHSB..	4.826~25.4mm	Steel on bronze, Inch series
		POS..	SAKAC..M	GAKFR...PB	POS...	5-35 mm	Steel on bronze
		POSB..			POSB..	4.826~25.4mm	Steel on bronze, Inch series
	 Maintenance-Free Rod Ends	SI...C	SI...C	GIR...UK		5-35 mm	With PTFE, outer ring made of steel
		SA...C	SA...C	GAR..UK			
	 Rod Ends (Lubricant type)	SI...ES	SIA...ES	GIR..DO		5-60 mm	Steel-on-steel, phosphate-treated
		SA...ES	SAA...ES	GAR..DO			
 High Misalignment Type Rod End	Under Develop				4.826~19.06 mm		

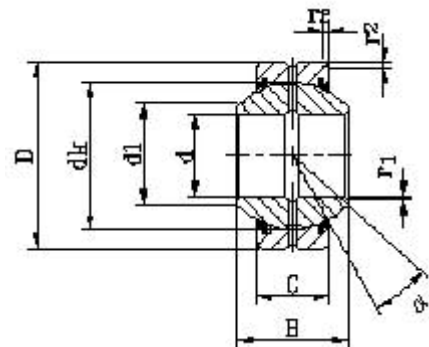


		HM..T	HRSMX..T	HXAM..T			With PTFE, High misalignment	
	2-Piece Type Rod End	CF..	CF..	CW.. CG..		4.826~19.06 mm	Steel-on-steel	
		CF..T	CF..T	CW..ET CG..ET	PHS... EC			
		CM..	CM..	CM.. CB..				
		CM..T	CM..T	CM..ET CB..ET	POS... EC			
Description		SINOTI	SKF	INA	IKO			
	Hydraulic Rod End	SN796				25~160 mm	Steel-on-steel, phosphate-treated	
		GK...DO	SC..ES	GK...DO			Steel-on-steel, phosphate-treated	
		GF...DO	SCF..ES	GF...DO			Steel-on-steel, phosphate-treated	
L-Ball Joint Rod end		L-Ball Joint Rod end	SQ...C			LHS	5~16 mm	With PTFE



Spherical Plain Bearings

GE...E
GE...ES
GE...ES-2RS



Material	
Ball	Chromium Steel GCr15,heat treated,phosohate-treated
Outer ring	Chromium Steel GCr15,heat treated,phosohate-treated

Bearing number		Boundary Dimensions								Load ratings		Weight (kg)
		d	D	B	C	dk	rs min	rls min	α	Dynamic	Static	
GE5E		5	14	6	4	10	0.3	0.3	13	3.4	17	0.005
GE6E		6	14	6	4	10	0.3	0.3	13	3.4	17	0.004
GE8E		8	16	8	5	13	0.3	0.3	15	5.5	27	0.008
GE10E		10	19	9	6	16	0.3	0.3	12	8.1	40	0.011
GE12E		12	22	10	7	18	0.3	0.3	10	10	53	0.015
GE15ES	GE15ES-2RS	15	26	12	9	22	0.3	0.3	8	16	84	0.027
GE17ES	GE17ES-2RS	17	30	14	10	25	0.3	0.3	10	21	106	0.041
GE20ES	GE20ES-2RS	20	35	16	12	29	0.3	0.3	9	30	146	0.066
GE25ES	GE25ES-2RS	25	42	20	16	35.5	0.6	0.6	7	48	240	0.119
GE30ES	GE30ES-2RS	30	47	22	18	40.7	0.6	0.6	6	62	310	0.153
GE35ES	GE35ES-2RS	35	55	25	20	47	0.6	1	6	79	399	0.233
GE40ES	GE40ES-2RS	40	62	28	22	53	0.6	1	7	99	495	0.306
GE45ES	GE45ES-2RS	45	68	32	25	60	0.6	1	7	127	637	0.427
GE50ES	GE50ES-2RS	50	75	35	28	66	0.6	1	6	156	780	0.546
GE55ES	GE55ES-2RS	55	85	40	32	74	0.6	1	7	200	1000	0.939
GE60ES	GE60ES-2RS	60	90	44	36	80	1	1	6	245	1220	1.04
GE70ES	GE70ES-2RS	70	105	49	40	92	1	1	6	313	1560	1.55



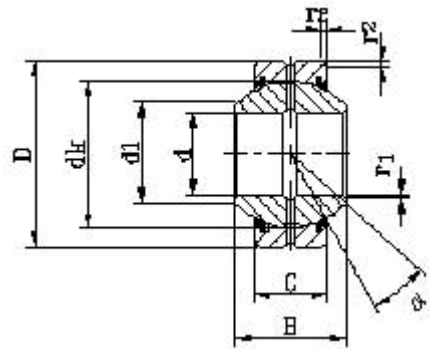
成都信諾科技有限公司
CHENGDU SINO TECHNOLOGY & INDUSTRY CO., LTD.

GE80ES	GE80ES-2RS	80	120	55	45	105	1	1	6	400	2000	2.31
GE90ES	GE90ES-2RS	90	130	60	50	115	1	1	5	488	2440	2.75
GE100ES	GE100ES-2RS	100	150	70	55	130	1	1	7	607	3030	4.45
GE110ES	GE110ES-2RS	110	160	70	55	140	1	1	6	654	3270	4.82
GE120ES	GE120ES-2RS	120	180	85	70	160	1	1	6	950	4750	8.05
GE140ES	GE140ES-2RS	140	210	90	70	180	1	1	7	1070	5350	11.02
GE160ES	GE160ES-2RS	160	230	105	80	200	1	1	8	1360	6800	14.01
GE180ES	GE180ES-2RS	180	260	105	80	225	1.1	1.1	6	1530	7650	18.65
GE200ES	GE200ES-2RS	200	290	130	100	250	1.1	1.1	7	2120	10600	28.03
GE220ES	GE220ES-2RS	220	320	135	100	275	1.1	1.1	8	2320	11600	35.51
GE240ES	GE240ES-2RS	240	340	140	100	300	1.1	1.1	8	2550	12700	39.91
GE260ES	GE260ES-2RS	260	370	150	110	325	1.1	1.1	7	3030	15190	51.54
GE280ES	GE280ES-2RS	280	400	155	120	350	1.1	1.1	6	3570	17850	65.06
GE300ES	GE300ES-2RS	300	430	165	120	375	1.1	1.1	7	3800	19100	78.07



Spherical Plain Bearings

GEG...E
GEG...ES
GEG...ES-2RS



Material	
Ball	Chromium Steel GCr15,heat treated,phosohate-treated
Outer ring	Chromium Steel GCr15,heat treated,phosohate-treated

Bearing number		Boundary Dimensions								Load ratings		Weight (kg)
		d	D	B	C	dk	rs min	rls min	α	Dynamic	Static	
GEG5E		5	16	9	5	13	0.3	0.3	21	5.5	27	0.008
GEG6E		6	16	9	5	13	0.3	0.3	21	5.5	27	0.006
GEG8E		8	19	11	6	16	0.3	0.3	21	8.1	40	0.014
GEG10E		10	22	12	7	18	0.3	0.3	18	10	53	0.021
GEG12E		12	26	15	9	22	0.3	0.3	18	16	84	0.033
GEG15ES	GEG15ES-2RS	15	30	16	10	25	0.3	0.3	16	21	106	0.049
GEG17ES	GEG17ES-2RS	17	35	20	12	29	0.3	0.3	19	30	146	0.083
GEG20ES	GEG20ES-2RS	20	42	25	16	35.5	0.3	0.6	17	48	240	0.153
GEG25ES	GEG25ES-2RS	25	47	28	18	40.7	0.6	0.6	17	62	310	0.203
GEG30ES	GEG30ES-2RS	30	55	32	20	47	0.6	1	17	79	399	0.304
GEG35ES	GEG35ES-2RS	35	62	35	22	53	0.6	1	16	99	495	0.408
GEG40ES	GEG40ES-2RS	40	68	40	25	60	0.6	1	17	127	637	0.542
GEG45ES	GEG45ES-2RS	45	75	43	28	66	0.6	1	15	156	780	0.713
GEG50ES	GEG50ES-2RS	50	90	56	36	80	0.6	1	17	245	1220	1.14
GEG60ES	GEG60ES-2RS	60	105	63	40	92	1	1	17	313	1560	2.05
GEG70ES	GEG70ES-2RS	70	120	70	45	105	1	1	16	400	2000	3.01
GEG80ES	GEG80ES-2RS	80	130	75	50	115	1	1	14	488	2440	3.64



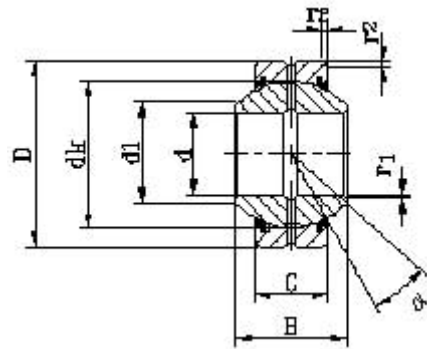
成都信諾科技有限公司
CHENGDU SINO TECHNOLOGY & INDUSTRY CO., LTD.

GEG90ES	GEG90ES-2RS	90	150	85	55	130	1	1	15	607	3030	5.22
GEG100ES	GEG100ES-2RS	100	160	85	55	140	1	1	14	654	3270	6.05
GEG110ES	GEG110ES-2RS	110	180	100	70	160	1	1	12	950	4750	9.68
GEG120ES	GEG120ES-2RS	120	210	115	70	180	1	1	16	1070	5350	14.01
GEG140ES	GEG140ES-2RS	140	230	130	80	200	1	1	16	1360	6800	19.01
GEG160ES	GEG160ES-2RS	160	260	135	80	225	1.1	1.1	16	1530	7650	20.02
GEG180ES	GEG180ES-2RS	180	290	155	100	250	1.1	1.1	14	2120	10600	32.21
GEG200ES	GEG200ES-2RS	200	320	165	100	275	1.1	1.1	15	2320	11600	45.28
GEG220ES	GEG220ES-2RS	220	340	175	100	300	1.1	1.1	16	2550	12700	51.12
GEG240ES	GEG240ES-2RS	240	370	190	110	325	1.1	1.1	15	3030	15190	65.12
GEG260ES	GEG260ES-2RS	260	400	205	120	350	1.1	1.1	15	3570	17850	82.44
GEG280ES	GEG280ES-2RS	280	430	210	120	375	1.1	1.1	15	3800	19100	97.21



Spherical Plain Bearings (Inch series)

GEZ...ES
GEZ...ES-2RS



Material	
Ball	Chromium Steel GCr15,heat treated,phosphoate-treated
Outer ring	Chromium Steel GCr15,heat treated,phosphoate-treated

Bearing number	Boundary Dimensions									Load ratings		Weight (kg)
	d	D	B	C	dk	rs min	rls min	α	Dynamic	Static		
GEZ12ES	12.7	22.225	11.1	9.525	18	0.15	0.6	6	13	41	0.022	
GEZ15ES	15.875	26.988	13.894	11.913	23	0.15	0.6	6	22	65	0.036	
GEZ19ES	GEZ19ES-2RS	19.05	31.75	16.662	14.275	27.5	0.3	0.6	6	31	95	0.053
GEZ22ES	GEZ22ES-2RS	22.225	36.513	19.431	16.662	32	0.3	0.6	6	42	127	0.085
GEZ25ES	GEZ25ES-2RS	25.4	41.275	22.225	19.05	36.5	0.3	0.6	6	56	166	0.121
GEZ31ES	GEZ31ES-2RS	31.75	50.8	27.762	23.8	45.5	0.6	0.6	6	86	260	0.23
GEZ34ES	GEZ34ES-2RS	34.925	55.563	30.15	26.187	49	0.6	1	6	102	310	0.35
GEZ38ES	GEZ38ES-2RS	38.1	61.913	33.325	28.575	54.7	0.6	1	6	125	375	0.42
GEZ44ES	GEZ44ES-2RS	44.45	71.438	38.887	33.325	63.9	0.6	1	6	170	510	0.64
GEZ50ES	GEZ50ES-2RS	50.8	80.963	44.45	38.1	73	0.6	1	6	224	670	0.93
GEZ57ES	GEZ57ES-2RS	57.15	90.488	50.013	42.85	82	0.6	1	6	280	850	1.3
GEZ63ES	GEZ63ES-2RS	63.5	100.013	55.55	47.625	92	1	1	6	355	1060	1.85
GEZ69ES	GEZ69ES-2RS	69.85	111.125	61.112	52.375	100	1	1	6	415	1250	2.4
GEZ76ES	GEZ76ES-2RS	76.2	120.65	66.675	57.15	109.5	1	1	6	500	1500	3.1
GEZ82ES	GEZ82ES-2RS	82.55	130.175	72.238	61.9	119	1	1	6	585	1760	3.8
GEZ88ES	GEZ88ES-2RS	88.9	139.7	77.775	66.675	128	1	1	6	680	2040	4.8
GEZ95ES	GEZ95ES-2RS	95.25	149.225	83.337	71.425	137	1	1	6	780	2360	5.8



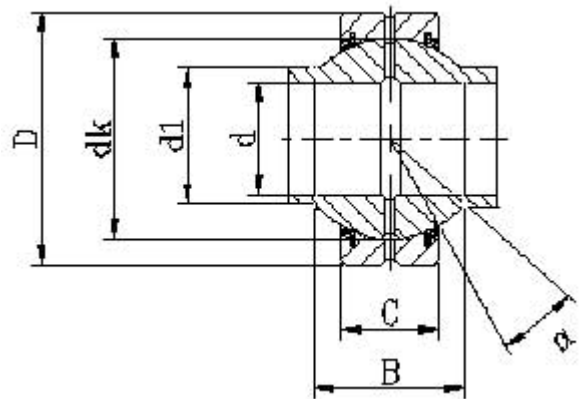
成都信諾科技有限公司
CHENGDU SINO TECHNOLOGY & INDUSTRY CO., LTD.

GEZ101ES	GEZ101ES-2RS	101.6	158.75	88.9	76.2	146	1	1	6	900	2650	7
GEZ107ES	GEZ107ES-2RS	107.95	168.275	94.463	80.95	155	1	1	6	1000	3000	8.41
GEZ114ES	GEZ114ES-2RS	114.3	177.8	100.013	85.725	164. 5	1	1	6	1120	3400	9.8
GEZ120ES	GEZ120ES-2RS	120.65	187.325	105.562	90.475	173. 5	1	1	6	1250	3750	11.5
GEZ127ES	GEZ127ES-2RS	127	196.85	111.125	95.25	183	1	1	6	1400	4150	13.5
GEZ152ES	GEZ152ES-2RS	152.4	222.25	120.65	104.775	207	1	1	5	1730	5200	17.5



Spherical Plain Bearings With Wide Inner Ring and Fitting

GEEW..ES



Material	
Ball	Chromium Steel GCr15,heat treated,phosohate-treated
Outer ring	Chromium Steel GCr15,heat treated,phosohate-treated

Bearing number	Boundary Dimensions								Load ratings		Weight (kg)
	d	D	B	C	dk	rs min	rls min	α	Dynamic	Static	
GEEW12ES	12	22	12	7	18	0.3	0.3	4	10	53	0.022
GEEW15ES	15	26	15	9	22	0.3	0.3	5	16	84	0.031
GEEW16ES	16	28	16	9	23	0.3	0.3	4	17	85	0.035
GEEW17ES	17	30	17	10	25	0.3	0.3	7	21	106	0.044
GEEW20ES	20	35	20	12	29	0.3	0.3	4	30	146	0.071
GEEW25ES	25	42	25	16	35.5	0.6	0.6	4	48	240	0.131
GEEW30ES	30	47	30	18	40.7	0.6	0.6	4	62	310	0.168
GEEW32ES	32	52	32	18	43	0.6	1	4	65	328	0.182
GEEW35ES	35	55	35	20	47	0.6	1	4	79	399	0.253
GEEW40ES	40	62	40	22	53	0.6	1	4	99	495	0.338
GEEW45ES	45	68	45	25	60	0.6	1	4	127	637	0.481
GEEW50ES	50	75	50	28	66	0.6	1	4	156	780	0.558
GEEW60ES	60	90	60	36	80	1	1	4	245	1220	1.15
GEEW63ES	63	95	63	36	83	1	1	4	253	1260	1.25
GEEW70ES	70	105	70	40	92	1	1	4	313	1560	1.71
GEEW80ES	80	120	80	45	105	1	1	4	400	2000	2.39
GEEW90ES	90	130	90	50	115	1	1	4	488	2440	3.21



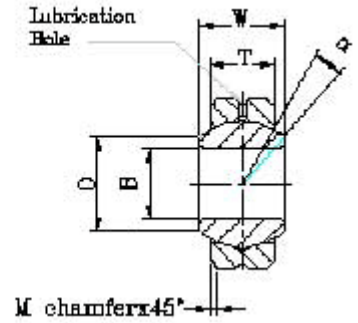
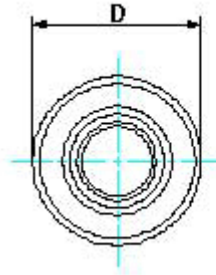
成 都 信 諾 科 技 有 限 公 司
CHENGDU SINO TECHNOLOGY & INDUSTRY CO., LTD.

GEEW100ES	100	150	100	55	130	1	1	4	607	3030	4.79
GEEW110ES	110	160	110	55	140	1	1	4	654	3270	5.78
GEEW125ES	125	180	125	70	160	1	1	4	950	4750	8.49
GEEW160ES	160	230	160	80	200	1	1	4	1360	6800	16.5
GEEW200ES	200	290	200	100	250	1.1	1.1	4	2120	10600	32.1
GEEW250ES	250	400	250	120	350	1.1	1.1	4	3750	17800	99.1
GEEW320ES	320	520	320	160	450	1.1	1.1	4	6200	30500	225



Spherical Plain Bearings

COM
COMT



Material	
Ball	Chromium Steel GCr15, heat treated, chrome plated
Race	Chromium Steel GCr15, or mid-carbon steel, or alternative materials available
Liner	PTFE available, add "T" as suffix

BEARING NO.		Boundary Dimensions (inch)							a° MIS ANG. REF.	ULT. STATIC RADIAL LOAD (lbs)	APPROX. WEIGHT (lbs)
		B DIA	D DIA	W WIDTH	T WIDTH	O DIA	BALL DIA	F CHAMFER			
		+0.010 -0.010	+0.0000 -0.0007	+0.005 -0.005	+0.005 -0.005	REF.	REF.	REF.			
COM3	COM3T	.1900	.5625	.281	.218	.293	.406	.015	11	3250	0.014
COM4	COM4T	.2500	.6562	.343	.250	.364	.500	.022	13.5	4950	0.022
COM5	COM5T	.3125	.7500	.375	.281	.419	.562	.032	12	6475	0.030
COM6	COM6T	.3750	.8125	.406	.312	.516	.656	.032	10	8400	0.038
COM7	COM7T	.4375	.9062	.437	.343	.530	.687	.032	8	9453	0.047
COM8	COM8T	.5000	1.0000	.500	.390	.600	.781	.032	9.5	13250	0.065
COM9	COM9T	.5625	1.0937	.562	.437	.671	.875	.032	9.5	16630	0.086
COM10	COM10T	.6250	1.1875	.625	.500	.739	.968	.032	8.5	21280	0.110
COM12	COM12T	.7500	1.4375	.750	.593	.920	1.187	.044	9	31920	0.204
COM14	COM14T	.8750	1.5625	.875	.703	.980	1.312	.044	9.5	41960	0.263
COM16	COM16T	1.0000	1.7500	1.000	.797	1.118	1.500	.044	10	55200	0.386



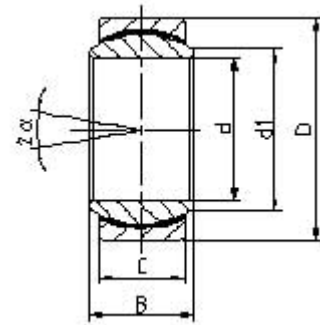
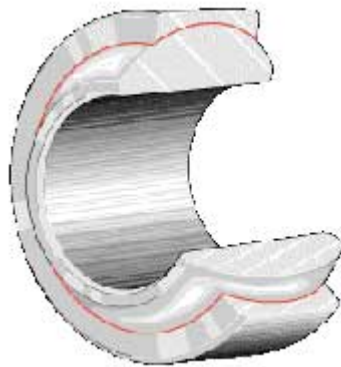
BEARING NO.		Boundary Dimensions (mm)							a° MIS ANG.	ULT. STATIC RADIAL LOAD (lbs)	APPROX. WEIGHT (lbs)
		B DIA	D DIA	W WIDTH	T WIDTH	O DIA	BALL DIA	F CHAMFER			
		+0.0381 -0.0127	+0.0000 -0.0177	+0.127 -0.127	+0.127 -0.127	REF.	REF.	REF.			
COM3	COM3T	4.83	14.29	7.14	5.540	7.44	10.31	0.381	11	3250	0.014
COM4	COM4T	6.35	16.67	8.71	6.350	9.25	12.70	0.560	13.5	4950	0.022
COM5	COM5T	7.94	19.05	9.53	7.140	10.64	14.27	0.812	12	6475	0.030
COM6	COM6T	9.53	20.64	10.31	7.920	13.11	16.66	0.812	10	8400	0.038
COM7	COM7T	11.11	22.93	11.10	8.710	14.45	17.45	0.812	8	9453	0.047
COM8	COM8T	12.70	25.40	12.70	9.910	16.26	20.65	0.812	9.5	13250	0.065
COM9	COM9T	14.29	27.78	14.27	11.10	18.03	23.01	0.812	9.5	16630	0.086
COM10	COM10T	15.88	30.16	15.88	12.70	19.81	25.40	0.812	8.5	21280	0.110
COM12	COM12T	19.05	36.51	19.05	15.06	23.37	30.15	1.120	9	31920	0.204
COM14	COM14T	22.23	39.69	22.23	17.86	24.89	33.32	1.120	9.5	41960	0.263
COM16	COM16T	25.40	44.45	25.40	20.24	28.40	38.10	1.120	10	55200	0.386



Maintenance-Free Spherical Plain Bearings

GE...C

GEG...C



Material	
Ball	Chromium Steel GCr15, heat treated, hard chrome plated
Liner	PTFE
Outer ring	Chromium Steel Gcr15 or mid-carbon steel, or alternative materials available

Bearing Number	Boundary Dimensions (mm)					Basic Load Rating		α	Weight (g)
	d	D	B	C	d1	Cd	Cs		
Normal series									
GE4C	4	12	5	3	6	2.1	5.4	16	3.3
GE5C	5	14	6	4	7	3.6	9.1	13	3.8
GE6C	6	14	6	4	8	3.6	9.1	13	4.2
GE8C	8	16	8	5	10	5.8	14	15	7.5
GE10C	10	19	9	6	13	8.6	21	12	11
GE12C	12	22	10	7	15	11	28	10	15
GE15C	15	26	12	9	18	18	45	8	27
GE17C	17	30	14	10	20	22	56	10	41
GE20C	20	35	16	12	24	31	78	9	66
GE25C	25	42	20	16	29	51	127	7	119
GE30C	30	47	22	18	34	65	166	6	153
Medium series									
GEG5C	5	16	9	5	8	5.8	14	21	6.6
GEG6C	6	16	9	5	9	5.8	14	21	8.1
GEG8C	8	19	11	6	11	8.6	21	21	14
GEG10C	10	22	12	7	13	11	28	18	21
GEG12C	12	26	15	9	16	18	45	18	33
GEG15C	15	30	16	10	19	22	56	16	49



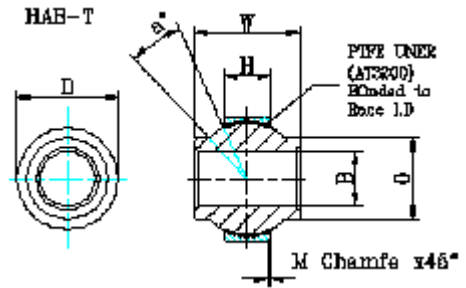
成 都 信 诺 科 技 有 限 公 司
CHENGDU SINO TECHNOLOGY & INDUSTRY CO., LTD.

GEG17C	17	35	20	12	21	31	78	19	83
GEG20C	20	42	25	16	24	51	127	17	153
GEG25C	25	47	28	18	29	65	166	17	203
GEG30C	30	55	32	20	34	83	212	17	304



High Misalignment Spherical Plain Bearing

GHM...T



Material	
Ball	Chromium Steel GCr15,heat treated,hard chrome plated
Liner	PTFE
Outer ring	Chromium Steel Gcr15 or mid-carbon steel,or alternative materials available

Bearing NO.	Dimensions In Inches							a° Misalign Angle	Ultimate Radial StaticLoad Capacity Lbs	Approx Brg. Wt. Lbs
	B +0000 -0005	D +0000 -0005	W +000 -005	H +0005 -0005	M Ref	O Ref	Ball Dia. Ref.			
GHM-4T	.2500	.7400	.593	.255	.020	.390	.593	24	7.560	.036
GHM-5T	.3125	.9060	.813	.345	.030	.512	.781	23	16.975	.078
GHM-6T	.3750	.9060	.813	.345	.030	.512	.781	23	16.975	.078
GHM-7T	.4375	1.0000	.875	.345	.030	.618	.875	22	19.018	.091
GHM-8T	.5000	1.1250	.937	.401	.030	.730	1.000	20	25.263	.132
GHM-10T	.6250	1.3750	1.200	.567	.030	.856	1.250	20	44.651	.254
GHM-12T	.7500	1.5625	1.280	.620	.035	.970	1.375	18	53.707	.332
GHM-14T	.8750	1.7500	1.400	.630	.039	1.140	1.531	18	72.424	.436
Bearing NO.	Dimensions In Metric							a° Misalign Angle	Ultimate Radial StaticLoad Capacity Lbs	Approx Brg. Wt. Lbs
Plain Series	B +0000 -0127	D +0000 -0127	W +000 -005	H +0127 -0127	M Ref	O Ref	Ball Dia. Ref.			
GHM-4T	6.350	18.796	15.06	6.48	.020	9.91	15.06	24	7.560	.036
GHM-5T	7.938	23.012	20.65	8.76	.030	13.01	19.84	23	16.975	.078
GHM-6T	9.525	23.012	20.65	8.76	.030	13.01	19.84	23	16.975	.078
GHM-7T	11.112	25.400	22.23	8.76	.030	15.70	22.23	22	19.018	.091
GHM-8T	12.700	28.575	23.80	10.19	.030	18.54	25.40	20	25.263	.132
GHM-10T	15.875	34.925	30.48	14.40	.030	21.74	31.75	20	44.651	.254



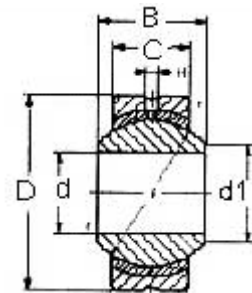
成 都 信 诺 科 技 有 限 公 司
CHENGDU SINO TECHNOLOGY & INDUSTRY CO., LTD.

GHM-12T	19.050	39.688	32.51	15.75	.035	24.64	34.93	18	53.707	.332
GHM-14T	22.225	44.45	35.56	16.00	.039	28.96	38.89	18	72.424	.436



Insert Type Pilloball Spherical Bearings

GEBK...S



Material	
Ball	Chromium Steel GCr15,heat treated,hard chrome plated
Race	Copper alloy
Housing	Chromium Steel Gcr15 or mid-carbon steel,or alternative materials available

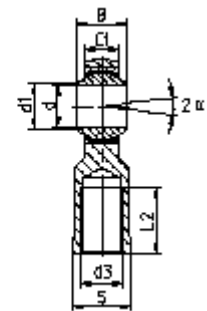
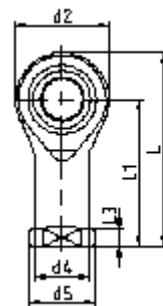
Bearing Number	Boundary Dimensions (mm)					Basic Load Rating		α°	Weight (g)
	d	D	B	C	d1	Cd	Cs		
GEBK5S	5	16	8	6	7.7	330	800	13	8.5
GEBK6S	6	18	9	6.75	9	430	1030	13	13
GEBK8S	8	22	12	9	10.4	710	1710	13	24
GEBK10S	10	26	14	10.5	12.9	1000	2400	13	39
GEBK12S	12	30	16	12	15.4	1330	3200	13	58
GEBK14S	14	34	19	13.5	16.9	1710	4110	13	84
GEBK16S	16	38	21	15	19.4	2140	5140	13	111
GEBK18S	18	42	23	16.5	21.9	2620	6290	13	160
GEBK20S	20	46	25	18	24.4	3140	7540	13	210
GEBK22S	22	50	28	20	25.8	3810	9140	13	265
GEBK25S	25	56	31	22	29.6	4710	11300	13	390
GEBK28S	28	62	35	25	32.3	5950	14300	13	410
GEBK30S	30	66	37	25	34.8	6350	15200	13	610



Spherical Bearing Rod End (Maintenance-Free Type)

SI...TK

SIL...TK



Material	
Ball	Chromium Steel GCr15,heat treated,hard chrome plated
Liner	PTFE
Outer ring	Copper alloy
Body	Low carbon steel,heat treated,nickle Plated

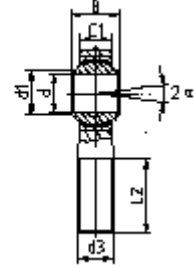
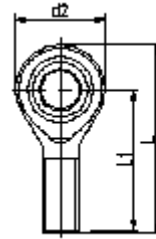
Bearing Number	Boundary Dimensions (mm)													Ratingsload (KN)		22°	Weight (g)
	d	d2	B	C1	S	d3	d4	d5	L1	L2	L	L3	d1	Cd	Cs		
SI5T/K	5	18	8	6	9	M5X0.8	9	11	27	10	36	4.5	7.7	6	7.5	13	18
SI6T/K	6	20	9	6.75	11	M6X1	10	13	30	12	40	5	8.9	7.2	9.3	13	27
SI8T/K	8	24	12	9	13	M8X1.25	12.5	16	36	16	48	5	10.4	11.6	16.7	13	46
SI10T/K	10	28	14	10.5	17	M10X1.5	15	19	43	20	57	6.5	12.9	14.5	23.4	13	76
SI12T/K	12	32	16	12	19	M12X1.75	17.5	22	50	22	66	6.5	15.4	17	32	13	115
SI14T/K	14	36	19	13.5	22	M14X2	20	25	57	25	75	8	16.8	24	41.9	13	170
SI16T/K	16	42	21	15	22	M16X2	22	27	64	28	85	8	19.3	28.5	52.7	13	230
SI18T/K	18	46	23	16.5	27	M18X5	25	31	71	32	94	10	21.8	35	63.8	13	320
SI20T/K	20	50	25	18	32	M20X5	27.5	34	77	33	102	10	24.3	40	78.1	13	415
SI22T/K	22	54	28	20	32	M22X5	30	37	84	37	111	10	25.8	52	97.2	13	540
SI25T/K	25	60	31	22	36	M24X2	33.5	42	94	42	124	12	29.6	60	122.1	13	750
SI30T/K	30	70	37	25	41	M30X2	40	51	110	51	145	15	34.8	81	168.4	13	1130
SI35T/K	35	80	43	28	50	M36X2	46	56	125	56	165	15	37.7	100	205.7	13	1600



Spherical Bearing Rod End (Maintenance-Free Type)

SA...TK

SAL...TK



Material	
Ball	Chromium Steel GCr15,heat treated,hard chrome plated
Liner	PTFE
Outer ring	Copper alloy
Body	Low carbon steel,heat treated,nickle Plated

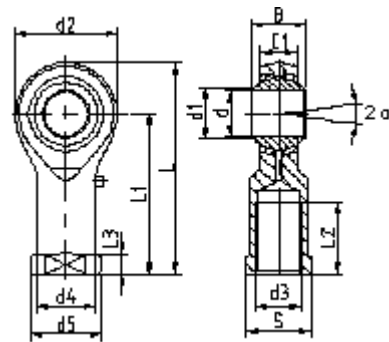
Bearing Number	Boundary Dimensions (mm)									Ratingsload(KN)		α°	Weight (g)
	d	d2	B	C1	d3	L1	L2	L	d1	Cd	Cs		
SA5T/K	5	18	8	6	M5X0.8	33	19	42	7.7	4	7.5	4	13
SA6T/K	6	20	9	6.75	M6X1	36	22	46	8.9	4.4	9.3	9	20
SA8T/K	8	24	12	9	M8X1.25	42	25	54	10.4	8	16.7	13	33
SA10T/K	10	28	14	10.5	M10X1.5	48	29	62	12.9	12.9	23.4	13	56
SA12T/K	12	32	16	12	M12X1.75	54	33	70	15.4	17	32	13	87
SA14T/K	14	36	19	13.5	M14X2	60	38	78	16.8	24	41.9	13	129
SA16T/K	16	42	21	15	M16X2	66	40	87	19.3	28.5	52.7	13	189
SA18T/K	18	46	23	16.5	M18X1.5	72	44	95	21.8	35	63.8	13	267
SI20T/K	20	50	25	18	M20X1.5	78	47	103	24.3	40	78.1	13	348
SA22T/K	22	54	28	20	M22X1.5	84	51	111	25.8	52	97.2	13	443
SA25T/K	25	60	31	22	M24X2	94	58	124	29.6	60	122.1	13	600
SA30T/K	30	70	37	25	M30X2	110	71	145	34.8	81	168.4	13	1030
SA35T/K	35	80	43	28	M36X2	125	77	165	37.7	100	205.7	13	1600



Spherical Bearing Rod End (Lubricant Type)

PHS...

PHSL ...



Material	
Ball	Chromium Steel GCr15,heat treated,hard chrome plated
Race	Copper alloy
Body	Low carbon steel,heat treated,nickle Plated

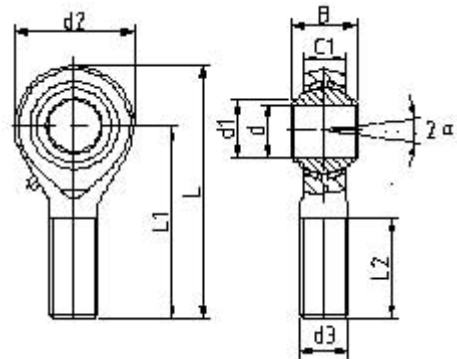
Bearing Number	Boundary Dimensions (mm)												Ratingsload (KN)		α°	Weight (g)	
	d	d2	B	C1	S	d3	d4	d5	L1	L2	L	L3	d1	Cd			Cs
PHS5	5	16	8	6	9	M5X0.8	9	11	27	14	35	4	7.7	3.3	3.9	13	16
PHS6	6	18	9	6.75	11	M6X1	10	13	30	14	39	5	9	4.3	5.3	13	26
PHS8	8	22	12	9	14	M8X1.25	12.5	16	36	17	47	5	10.4	6.8	8.5	13	44
PHS10	10	26	14	10.5	17	M10X1.5	15	19	43	21	56	6.5	12.9	10	11	13	72
PHS12	12	30	16	12	19	M12X1.75	17.5	22	50	24	65	6.5	15.4	13	14	13	108
PHS14	14	34	19	13.5	22	M14X2	20	25	57	27	74	8	16.9	17	20	13	161
PHS16	16	38	21	15	22	M16X2	22	27	64	33	83	8	19.4	21	25	13	225
PHS18	18	42	23	16.5	27	M18X1.5	25	31	71	36	92	10	21.9	26	30	13	295
PHS20	20	46	25	18	30	M20X1.5	27.5	34	77	40	100	10	24.4	31	35	13	382
PHS22	22	50	28	20	32	M22X1.5	30	37	84	43	109	12	25.8	38	43	13	488
PHS25	25	60	31	22	36	M24X2	33.5	42	94	48	124	12	29.6	47	65	13	749
PHS28	28	66	35	25	41	M27X2	37	46	103	53	136	12	32.3	59	77	13	949
PHS30	30	70	37	25	41	M30X2	40	50	110	56	145	15	34.8	63	86	13	1130



Spherical Bearing Rod End (Lubricant Type)

POS...

POSL ...



Material	
Ball	Chromium Steel GCr15,heat treated,hard chrome plated
Race	Copper alloy
Body	Low carbon steel,heat treated,nickle Plated

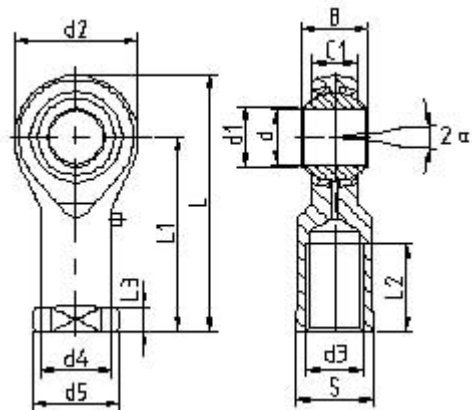
Bearing Number	Boundary Dimensions(mm)									Ratingsload (KN)		$2\alpha^\circ$	Weight (g)
	d	d2	B	C1	d3	L1	L2	L	d1	Cd	Cs		
POS5	5	16	8	6	M5X0.8	33	20	41	7.7	3.3	3.9	13	12.5
POS6	6	18	9	6.75	M6X1	36	22	45	9	4.3	5.3	13	19
POS8	8	22	12	9	M8X1.25	42	25	53	10.4	6.8	8.5	13	32
POS10	10	26	14	10.5	M10X1.5	48	29	61	12.9	10	11	13	54
POS12	12	30	16	12	M12X1.75	54	33	69	15.4	13	14	13	85
POS14	14	34	19	13.5	M14X2	60	36	77	16.9	17	20	13	126
POS16	16	38	21	15	M16X2	66	40	85	19.4	21	25	13	185
POS18	18	42	23	16.5	M18X1.5	72	44	93	21.9	26	30	13	260
POS20	20	46	25	18	M20X1.5	78	47	101	24.4	31	35	13	340
POS22	22	50	28	20	M22X1.5	84	51	109	25.8	38	43	13	435
POS25	25	60	31	22	M24X2	94	57	124	29.6	47	65	13	650
POS28	28	66	35	25	M27X2	103	62	136	32.3	59	77	13	875
POS30	30	70	37	25	M30X2	110	66	145	34.8	63	86	13	1070



Spherical Bearing Rod End (Lubricant Type)
(Inch Series)

PHSB...

PHSB ..L.



Material	
Ball	Chromium Steel GCr15,heat treated,hard chrome plated
Race	Copper alloy
Body	Low carbon steel,heat treated,nickle plated

Bearing Number	Boundary Dimensions (inch / mm)												Basic Load Rating		α	Weight (g)
	d	d2	B	C1	S	d3	d5	L	L1	L2	I	d1	Cd	Cs		
PHSB3	.1900	.6250	.312	.250	.312	0.19	.406	1.38	1.06	.562	.187	.306	780	2090	13	14
	4.826	15.88	7.92	6.35	7.92	-32UNF	10.3	34.9	27	14.3	4.75	7.77				
PHSB4	.2500	.7500	.375	.281	.375	0.25	.468	1.69	1.31	.75	.187	.355	1030	3040	13	23
	6.35	19.05	9.53	7.14	9.53	1/4 -28UNF	11.9	42.9	33.3	19.1	4.75	9.02				
PHSB5	.3125	.8750	.437	.344	.437	0.3125	.500	1.81	1.38	.750	.187	.447	1530	3800	13	36
	7.938	22.23	11.10	8.74	11.10	5/16 -24UNF	12.7	46	34.9	19.1	4.75	11.35				
PHSB6	.3750	1.000	.500	.406	.562	0.375	.687	2.13	1.63	.937	.250	.517	2080	4980	13	59
	9.525	25.40	12.70	10.31	14.27	3/8 -24UNF	17.5	54	41.3	23.8	6.35	13.13				
PHSB7	.4375	1.125	.562	.437	.625	0.4375	.750	2.38	1.81	1.06	.250	.586	2520	6020	13	82
	11.11	28.58	14.27	11.10	15.88	7/16 -20UNF	19.1	60.3	46	27	6.35	14.88				
PHSB8	.5000	1.312	.625	.500	.750	0.5	.875	2.78	2.13	1.19	.250	.698	3330	8370	13	132
	12.70	33.32	15.88	12.70	19.05	1/2 -20UNF	22.2	70.6	54	30.2	6.35	17.73				



成都信諾科技有限公司
CHENGDU SINO TECHNOLOGY & INDUSTRY CO., LTD.

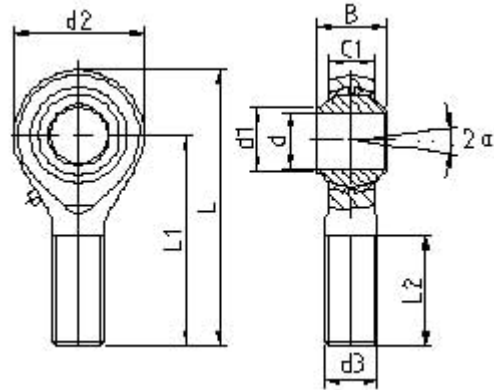
PHSB10	.6250	1.500	.750	.562	.875	0.625 5/8	1.00	3.25	2.50	1.5	.312	.839	4500	9050	13	191
	15.88	38.10	19.05	14.27	22.23	-18UNF	25.4	82.6	63.5	38.1	7.92	21.31				
PHSB12	.7500	1.750	.875	.687	1.000	0.75 3/4	1.13	3.75	2.88	1.75	.312	.978	6410	12700	13	286
	19.05	44.46	22.23	17.45	25.4	-16UNF	28.6	95.3	73	44.5	7.92	24.84				
PHSB16	1.000	2.750	1.375	1.000	1.500	1.25 1 1/4	1.75	5.5	4.13	2.13	.437	1.269	13300	19500	13	998
	25.40	69.85	34.93	25.40	38.10	-12UNF	44.5	140	105	54	11.07	32.23				



**Spherical Bearing Rod End (Lubricant Type)
(Inch Series)**

POSB...

POSB ..L.



Material	
Ball	Chromium Steel GCr15,heat treated,hard chrome plated
Race	Copper alloy
Body	Low carbon steel,heat treated,nickle Plated

Bearing Number	Boundary Dimensions (inch / mm)									Basic Load Rating		2α°	Weight (g)
	d	d2	B	C1	d3	L	L1	L2	d1	Cd	Cs		
POSB3	.1900	.625	.312	.250	.19	1.536	1.250	.750	.306	780	1120	13	14
	-	-	-	-	-	-	-	-	-				
POSB4	4.826	15.88	7.92	6.35	-32UNF	39.70	31.75	19.05	7.77	1030	2040	13	23
	.2500	.750	.375	.281	.25	1.937	1.562	1.000	.355				
POSB5	6.35	19.05	9.53	7.14	-28UNF	49.20	39.67	25.40	9.02	1530	3270	13	36
	.3125	.875	.437	.344	.3125	2.312	1.875	1.250	.447				
POSB6	7.938	22.23	11.11	8.74	-24UNF	58.72	47.63	31.75	11.35	2080	4980	13	54
	.3750	1.000	.500	.406	.375	2.438	1.938	1.250	.517				
POSB7	9.525	25.40	12.7	10.31	-24UNF	61.93	49.23	31.75	13.13	2520	6020	13	77
	.4375	1.125	.562	.437	.4375	2.688	2.125	1.375	.586				
POSB8	11.11	28.58	14.27	11.11	-20UNF	68.28	53.98	34.93	14.88	3300	8370	13	127
	.5000	1.312	.625	.500	.5	3.094	2.438	1.500	.698				
POSB10	12.70	33.32	15.88	12.70	-20UNF	78.59	61.93	38.10	17.73	4500	9050	13	186
	.6250	1.500	.750	.562	.625	3.375	2.625	1.625	.839				
	15.88	38.1	19.05	14.27	-18UNF	85.73	66.68	41.28	21.31				



成 都 信 诺 科 技 有 限 公 司
CHENGDU SINO TECHNOLOGY & INDUSTRY CO., LTD.

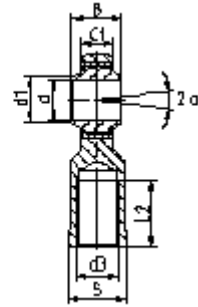
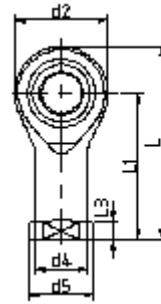
POSB12	.7500	1.750	.875	.687	.75	3.750	2.875	1.750	.978	6410	12700	13	295
	-	-	-	-	3/4	-	-	-	-				
	19.05	44.46	22.23	17.45	-16UNF	95.25	73.03	44.45	24.84				
POSB16	1.000	2.750	1.375	1.000	1.25	5.500	4.125	2.125	1.269	13300	19500	13	1129
	-	-	-	-	1 1/4	-	-	-	-				
	25.40	69.85	34.93	25.40	-12UNF	139.7	104.8	53.98	32.23				



Spherical Bearing Rod End (Maintenance-Free)

SI...

SIL...C.



Material	
Ball	Chromium Steel GCr15,heat treated,hard chrome plated
Liner	PTFE
Outer ring	Chromium Steel GCr15 or mid-carbon steel,or alternative materials available
Body	Low carbon steel,heat treated,nickle Plated

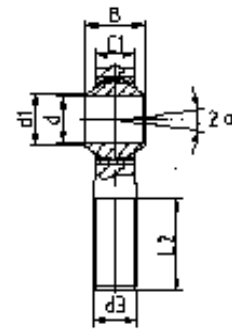
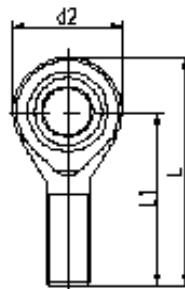
Bearing Number	Boundary Dimensions (mm)													Ratingsload (KN)		Z z a °	Weight (g)
	d	d2	B	C1	S	d3	d4	d5	L1	L2	L	L3	d1	Cd	Cs		
SI5C	5	21	6	4.5	10	M5X0.8	10	13	30	11	42	5	7	3.6	9.1	13	16
SI6C	6	21	6	4.5	11	M6X1	11	13	30	11	42	5	8	3.6	9.1	13	17
SI8C	8	24	8	6.5	13	M8X1.25	13	16	36	15	48	5	10	5.8	14	15	35
SI10C	10	29	9	7.5	17	M10X1.5	16	19	43	15	58	5.5	13	8.6	21	12	61
SI12C	12	34	10	8.5	19	M12X1.75	19	22	50	18	67	7	15	11	28	10	96
SI15C	15	40	12	10.5	22	M14X2	22	26	61	21	81	8	18	18	45	8	162
SI17C	17	46	14	11.5	22	M16X2	25	29	67	24	90	10	20	22	56	10	233
SI20C	20	53	16	13.5	32	M20X1.5	28	34	77	30	104	10	24	31	78	9	324
SI25C	25	64	20	18	36	M24X2	35	42	94	36	126	12	29	51	127	7	625
SI30C	30	73	22	20	41	M30X2	42	50	110	45	147	15	34	65	166	6	976
SI35C	35	82	25	22	50	M36X2	48	58	125	60	167	15	39	75	184	4	1520



Spherical Bearing Rod End (Maintenance-Free)

SA...

SAL...C.



Material	
Ball	Chromium Steel GCr15,heat treated,hard chrome plated
Liner	PTFE
Outer ring	Chromium Steel GCr15 or mid-carbon steel,or alternative materials available
Body	Low carbon steel,heat treated,nickle Plated

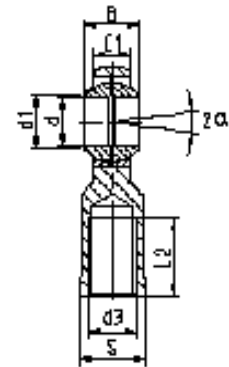
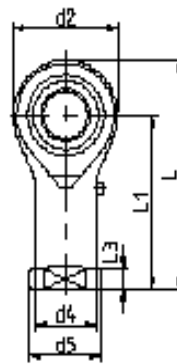
Bearing Number	Boundary Dimensions(mm)									Ratingsload (KN)		α	Weight (g)
	d	d2	B	C1	d3	L1	L2	L	d1	Cd	Cs		
SA5C	5	21	6	4.5	M5X0.8	36	48	48	7	3.6	9.1	13	11
SA6C	6	21	6	4.5	M6X1	36	48	48	8	3.6	9.1	13	13
SA8C	8	24	8	6.5	M8X1.25	42	55	55	10	5.8	14	15	26
SA10C	10	29	9	7.5	M10X1.5	48	63	63	13	8.6	21	12	44
SA12C	12	34	10	8.5	M12X1.75	54	71	71	15	11	28	10	66
SA15C	15	40	12	10.5	M14X2	63	83	83	18	18	45	8	121
SA17C	17	46	14	11.5	M16X2	69	92	92	20	22	56	10	172
SA20C	20	53	16	13.5	M20X1.5	78	105	105	24	31	78	9	283
SA25C	25	64	20	18	M24X2	94	126	126	29	51	127	7	504
SA30C	30	73	22	20	M30X2	110	147	147	34	65	166	6	835
SA35C	35	82	25	22	M36X2	140	182	182	39	75	184	4	1410



Spherical Bearing Rod End (Lubricant Type)

SL...ES

SIL...ES



Material	
Ball	Chromium Steel GCr15,heat treated,surface phosphate-treated
Race	Chromium Steel GCr15,heat treated,surface phosphate-treated
Body	Low carbon steel,heat treated,nickle Plated

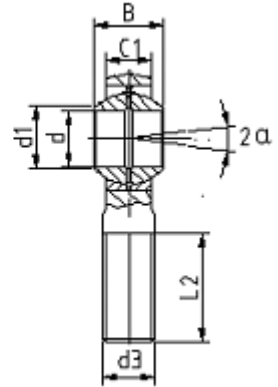
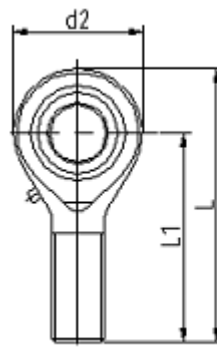
Bearing Number	Boundary Dimensions (mm)												Ratingsload(NK)		α°	Weight (g)	
	d	d2	B	C1	S	d3	d4	d5	L1	L2	L	L3	d1	Cd			Cs
SI5E	5	21	6	4.5	10	M5X0.8	10	13	30	11	42	5	7	3.4	17	13	16
SI6E	6	21	6	4.5	11	M6X1	11	13	30	11	42	5	8	3.4	17	13	17
SI8E	8	24	8	6.5	13	M8X1.25	13	16	36	15	48	5	10	5.5	27.6	13	35
SI10E	10	29	9	7.5	17	M10X1.5	16	19	43	15	58	5.5	13	8.1	40.8	13	61
SI12E	12	34	10	8.5	19	M12X1.75	19	22	50	18	67	7	15	10.7	53.5	13	96
SI15ES	15	40	12	10.5	22	M14X2	22	26	61	21	81	8	18	16.8	84.1	13	162
SI17ES	17	46	14	11.5	22	M16X2	25	29	67	24	90	10	20	21.2	106	13	233
SI20ES	20	53	16	13.5	32	M20X1.5	28	34	77	30	104	10	24	29.5	148	13	324
SI25ES	25	64	20	18	36	M24X2	35	42	94	36	126	12	29	48.2	241	13	625
SI30ES	30	73	22	20	41	M30X2	42	50	110	45	147	15	34	62.2	311	13	976
SI35ES	35	82	25	22	50	M36X3	48	58	125	60	167	15	39	79.9	399	13	1520
SI40ES	40	92	28	24	60	M39X3	52	65	142	65	188	18	45	99	495	13	2060
SI45ES	45	102	32	28	65	M42X3	58	70	145	65	199	20	50	127.5	637.5	13	2720
SI50ES	50	112	35	31	70	M45X3	62	75	160	68	221	20	55	157	785.4	13	3570
SI60ES	60	135	44	39	80	M52X3	70	88	175	70	247	20	66	244.8	1224	13	5630



Spherical Bearing Rod End (Lubricant Type)

SA...ES

SAL...ES



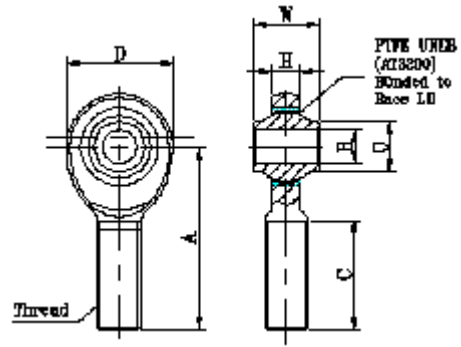
Material	
Ball	Chromium Steel GCr15,heat treated,surface phosphate-treated
Race	Chromium Steel GCr15,heat treated,surface phosphate-treated
Body	Low carbon steel,heat treated,nickle Plated

Bearing Number	Boundary Dimension (mm)									Ratingsload (KN)		z z _a	Weight (g)
	d	d2	B	C1	d3	L1	L2	L	d1	Cd	Cs		
SA5E	5	21	6	4.5	M5X0.8	36	16	48	7	3.4	17	13	11
SA6E	6	21	6	4.5	M6X1	36	16	48	8	3.4	17	13	13
SA8E	8	24	8	6.5	M8X1.25	42	21	55	10	5.5	27.6	13	26
SA10E	10	29	9	7.5	M10X1.5	48	26	63	13	8.1	40.8	13	44
SA12E	12	34	10	8.5	M12X1.75	54	28	71	15	10.7	53.5	13	66
SA15ES	15	40	12	10.5	M14X2	63	34	83	18	16.8	84.1	13	121
SA17ES	17	46	14	11.5	M16X2	69	36	92	20	21.2	106	13	172
SA20ES	20	53	16	13.5	M20X1.5	78	43	105	24	29.5	148	13	283
SA25ES	25	64	20	18	M24X2	94	53	126	29	48.2	241	13	504
SA30ES	30	73	22	20	M30X2	110	65	147	34	62.2	311	13	835
SA35ES	35	82	25	22	M36X3	140	82	182	39	79.9	399	13	1410
SA40ES	40	92	28	24	M39X3	150	86	198	45	99	495	13	1860
SA45ES	45	102	32	28	M42X3	163	92	217	50	127.5	637.5	13	2570
SA50ES	50	112	35	31	M45X3	185	104	246	55	157	785.4	13	3580
SA60ES	60	135	44	39	M52X3	210	115	282	66	244.8	1224	13	5730



High Misalignment Series Rod Ends

HM...T



Material	
Ball	Chromium Steel GCr15,heat treated,hard chrome plated
Liner	PTFE
Outer ring	Chromium Steel GCr15,or mid-carbon steel,or alternative materials available
Body	Low carbon steel,heat treated,nickle plated

Rod End No		Dimensions In Inches									a° Misalign Angle	Ultimate Radial Static Load Capacity Lbs	Approx Brg. Wt.Lbs
Right Hand	Left Hand	B +.0000 -.0005	W +.000 -.005	T +.005 -.005	A +.010 -.010	D +.010 -.010	Ball Dia. Ret.	C +.031 -.031	Therad UNJF-3A	Shoulder Dia.			
HM-4T	HML-4T	.2500	.593	.266	1.938	1.025	.593	1.187	3/8-24	.390	23	10.789	0.12
HM-5T	HML-5T	.3125	.813	.355	2.125	1.150	.781	1.281	7/16-20	.512	22	11.781	0.16
HM-6T	HML-6T	.3750	.813	.355	2.125	1.150	.781	1.281	7/16-20	.512	22	11.781	0.16
HM-7T	HML-7T	.4375	.875	.355	2.438	1.337	.875	1.468	1/2-20	.618	21	17.105	0.24
HM-8T	HML-8T	.5000	.937	.411	2.625	1.525	1.000	1.562	5/8-18	.730	19	23.720	0.39
HM-10T	HML-10T	.6250	1.200	.577	2.875	1.775	1.250	1.687	3/4-16	.856	19	32.067	0.60
HM-12T	HML-12T	.7500	1.280	.630	3.375	2.025	1.375	2.000	7/8-14	.970	18	38.660	0.89

Rod End No		Dimensions In Metric									a° Misalign Angle	Ultimate Radial StaticLoad Capacity Lbs	Approx Brg.Lbs
Right Hand	Left Hand	B +.0000 -.0005	W +.000 -.005	T +.005 -.005	A +.010 -.010	D +.010 -.010	Ball Dia. Ret.	C +.031 -.031	Therad UNJF-3A	Shoulder Dia.			
HM-4T	HML-4T	6.350	15.06	6.76	49.225	26.035	15.062	30.15	3/8-24	9.906	23	10.789	0.12



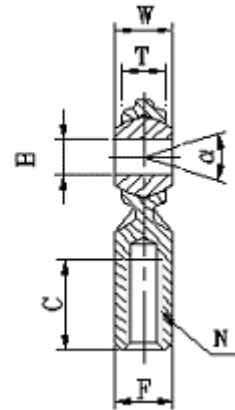
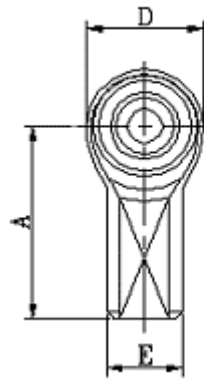
成 都 信 诺 科 技 有 限 公 司
CHENGDU SINO TECHNOLOGY & INDUSTRY CO., LTD.

HM-5T	HML-5T	7.938	20.65	9.02	53.975	29.210	19.837	46.25	7/16-20	13.005	22	11.781	0.16
HM-6T	HML-6T	9.525	20.65	9.02	53.975	29.210	19.837	46.25	7/16-20	13.005	22	11.781	0.16
HM-7T	HML-7T	11.112	22.23	9.02	61.925	33.960	22.225	37.29	1/2-20	15.697	21	17.105	0.24
HM-8T	HML-8T	12.700	23.80	10.44	66.675	38.735	25.400	39.67	5/8-18	18.542	19	23.720	0.39
HM-10T	HML-10T	15.875	30.48	14.66	73.025	45.085	31.750	42.85	3/4-16	21.742	19	32.067	0.60
HM-12T	HML-12T	19.050	32.51	16.00	85.725	51.435	34.925	50.80	7/8-14	24.638	18	38.660	0.89



Two-Piece Type Rod End

CF
CFL
CF...T
CFL...T



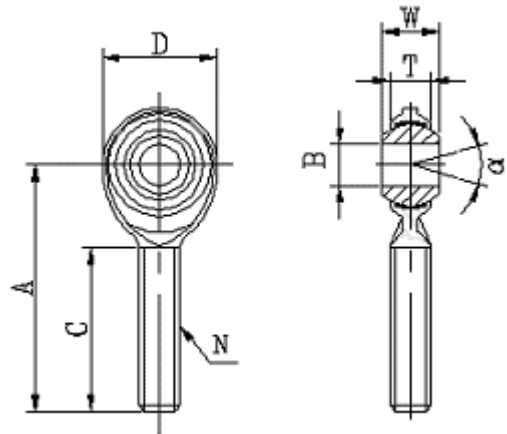
Material	
Ball	Chromium Steel GCr15,heat treated,hard chrome plated
Body	Low carbon steel,heat treated,nickle plated
Liner	PTFE available,add "T" as suffix

FEMALE RIGHT HAND	FEMALE LEFT HAND	B	D	W	T	BALL	A	N	C	E	F	α°	U MIS ANGLE REF.
		DIA. +.0025 -.0005	DIA. +.010 -.010	WIDTH +.000 -.005	WIDTH +.005 -.005	DIA. REF.	LGTH +.015 -.015	THD. UNF3A	LGTH +.062 -.031	DIA. +.010 -.010	FLAT +.010 -.010	REF.	
CF3	CFL3	.1900	.625	.312	.234	.437	1.250	10-32	.500	.406	.312	17	
CF3T	CFL3T												
CF4	CFL4	.2500	.750	.375	.250	.500	1.562	1/4-28	.687	.468	.375	21	
CF4T	CFL4T												
CF5	CFL5	.3125	.875	.437	.312	.625	1.875	5/16-24	.687	.500	.437	17	
CF5T	CFL5T												
CF6	CFL6	.3750	1.000	.500	.359	.719	1.938	3/8-24	.812	.687	.562	19	
CF6T	CFL6T												
CF7	CFL7	.4375	1.13	.562	.406	.812	2.125	7/16-20	.937	.750	.625	18	
CF7T	CFL7T												
CF8	CFL8	.5000	1.31	.625	.453	.937	2.438	1/2-20	1.062	.875	.750	17	
CF8T	CFL8T												
CF10	CFL10	.6250	1.500	.750	.484	1.125	2.625	5/8-18	1.375	1.000	.875	22	
CF10T	CFL10T												
CF12	CFL12	.7500	1.750	.875	.593	1.312	2.875	3/4-16	1.560	1.125	1.000	18	



Two-Piece Type Rod End

CM
CML
CM...T
CML...T



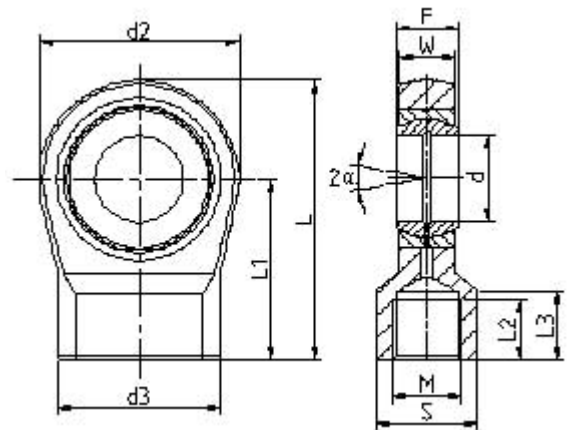
Material	
Ball	Chromium Steel GCr15,heat treated,hard chrome plated
Body	Low carbon steel,heat treated,nickle Plated
Liner	PTFE available,add "T" as suffix

MALE RIGHT HAND	MALE LEFT HAND	B	D	W	T	BALL	A	N	C	a°	ULTIMATE STATIC RA LOAD (Lbs)
		DIA. +0.0025 -0.0005	DIA. +0.010 -0.010	WIDTH +0.000 -0.005	WIDTH +0.005 -0.005	DIA. REF.	LGTH +0.015 -0.015	THD. UNF3A	LGTH +0.062 -0.031	MIS ANGLE REF.	
CM3	CML3	.1900	.625	.312	.234	.437	1.250	10-32	.750	17	902
CM3T	CML3T										
CM4	CML4	.2500	.750	.375	.250	.500	1.562	1/4-28	1.000	21	1809
CM4T	CML4T										
CM5	CML5	.3125	.875	.437	.312	.625	1.875	5/16-24	1.250	17	2984
CM5T	CML5T										
CM6	CML6	.3750	1.000	.500	.359	.719	1.938	3/8-24	1.250	19	4244
CM6T	CML6T										
CM7	CML7	.4375	1.125	.562	.406	.812	2.125	7/16-20	1.375	18	5312
CM7T	CML7T										
CM8	CML8	.5000	1.312	.625	.453	.937	2.438	1/2-20	1.500	17	7211
CM8T	CML8T										
CM10	CML10	.6250	1.500	.750	.484	1.125	2.625	5/8-18	1.625	22	8403
CM10T	CML10T										
CM12	CML12	.7500	1.750	.875	.593	1.312	2.875	3/4-16	1.750	18	12312



Hydraulic Rod End

SN796...



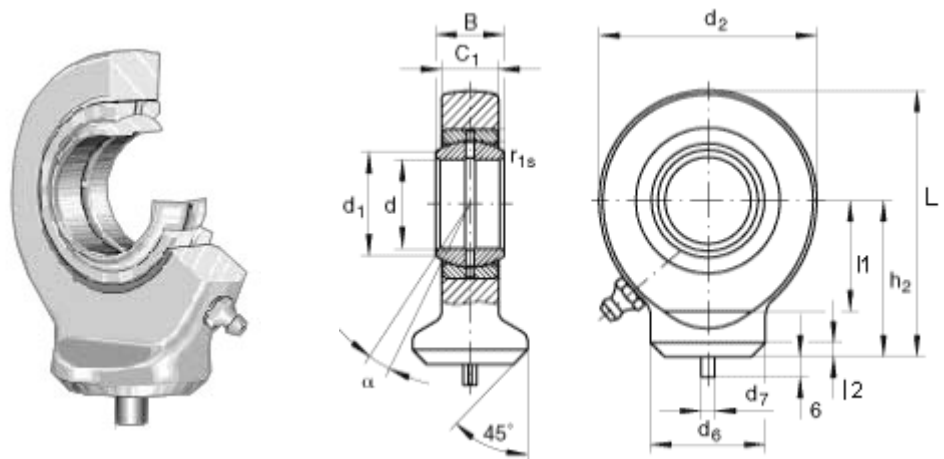
Material	
Ball	Chromium Steel GCr15,heat treated,surface phosphate-treated
Race	Chromium Steel GCr15,heat treated,surface phosphate-treated
Body	Low carbon steel,heat treated,nickle plated

Bearing	Boundary Dimensions (mm)											load Ratings (KN)	α	Weight (g)
	d	d2	F	W	M	L1	L2	L	d3	L3	S			
SN796-05	25	56	20	18	M16X.5	52	17	80	46	22	25	15.4	7	580
SN796-06	30	64	22	20	M22X1.5	62	23	94	52	28	32	18.9	6	860
SN796-07	35	78	25	22	M28X1.5	73	29	112	64	31	40	22.1	6	1350
SN796-08	40	94	28	24	M35X1.5	88	36	135	77	38	49	25.2	7	1620
SN796-10	50	116	35	30	M45X1.5	107	46	165	95	46	61	31.5	6	3990
SN796-12	60	130	44	38	M58X1.5	135	59	200	106	65	75	37.8	6	6700
SN796-14	70	154	49	42	M65X1.5	153	66	230	126	77	86	44	6	10500
SN796-16	80	176	55	47	M80X2	177	81	265	144	82	102	50	6	14900
SN796-18	90	206	60	52	M100X2	217	101	320	169	105	124	56	5	26000
SN796-20	100	230	70	58	M110X2	245	111	360	188	110	138	63	7	34000
SN796-22	110	266	70	58	M120X3	267	125	400	218	130	152	69	6	50000
SN796-24	120	340	85	72	M130X3	290	135	460	278	140	172	75	6	94000
SN796-28	140	350	90	72	M140X4	345	145	520	287	170	200	81	7	168000
SN796-32	160	380	105	82	M150X4	410	165	600	311	200	220	90	6	205000



Hydraulic Rod End

GK...DO



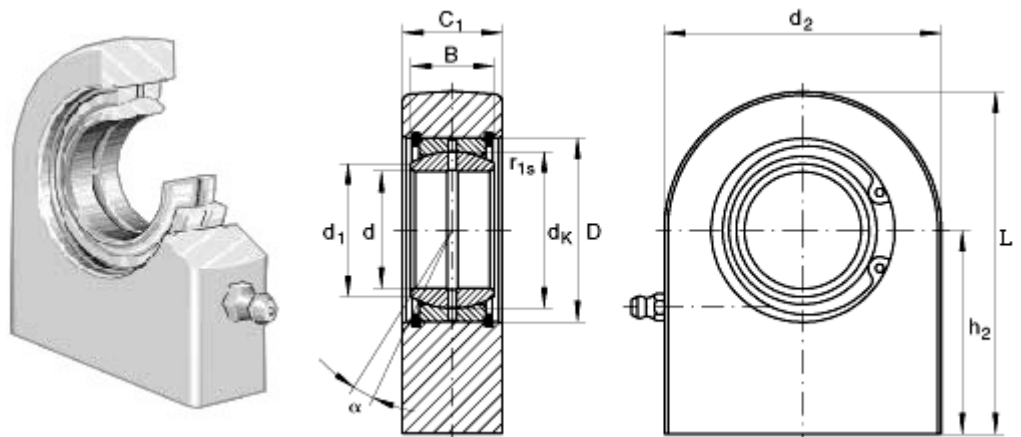
Material	
Ball	Chromium Steel GCr15,heat treated,surface phosphate-treated
Race	Chromium Steel GCr15,heat treated,surface phosphate-treated
Body	Low carbon steel,heat treated,nickle plated

Bearing Number	Boundary Dimensions (mm)											Ratingsload (KN)		Zz a ₀	Weight (g)
	d	d1	B	C1	d2	L	h2	l1	l2	d7	d6	Cd	Cs		
GK10DO	10	13.2	9	7	29	38.5	24	15	2	3	15	8.15	15.6	12	41
GK12DO	12	14.9	10	8	34	44	27	18	2	3	17.5	10.8	21.6	11	66
GK15DO	15	18.4	12	10	40	51	31	20	2.5	4	21	17	32	8	12
GK17DO	17	20.7	14	11	46	58	35	23	3	4	24	21	40	10	19
GK20DO	20	24.1	16	13	53	64.5	58	27	3	4	27.5	30	54	9	23
GK25DO	25	29.3	20	17	64	77	45	32	4	4	33.5	48	72	7	43
GK30DO	30	34.2	22	19	73	87.5	51	37	4	4	40	62	95	6	64
GK35DO	35	39.7	25	21	82	102	61	42	4	4	47	80	125	6	96
GK40DO	40	45	28	23	92	115	69	48	5	4	52	100	156	7	130
GK45DO	45	50.7	32	27	102	128	77	52	5	6	58	127	208	7	180
GK50DO	50	55.9	35	30	112	144	88	60	6	6	62	156	250	6	250
GK60DO	60	66.8	44	38	135	168	100	75	8	6	70	245	390	6	390
GK70DO	70	77.8	49	42	160	195	115	87	10	6	80	315	510	6	660
GK80DO	80	89.4	55	47	180	231	141	100	10	6	95	400	620	6	870



Hydraulic Rod End

GF...DO



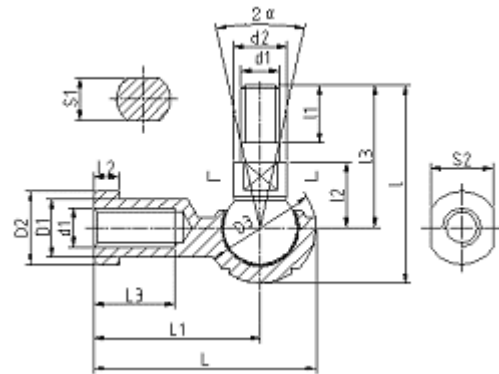
Material	
Ball	Chromium Steel GCr15,heat treated,surface phosphate-treated
Race	Chromium Steel GCr15,heat treated,surface phosphate-treated
Body	Low carbon steel,heat treated,nickle plated

Bearing Number	Boundary Dimensions (mm)									Ratingsload (KN)		i	Weight (g)
	d	C1	B	d2	L	h2	dk	d1	D	Cd	Cs		
GF20DO	20	19	16	50	63	38	29	24.1	35	30	67	9	350
GF25DO	25	23	20	55	72.5	45	35.5	29.3	42	48	69.5	7	530
GF30DO	30	28	22	65	83.5	51	40.7	34.2	47	62	118	6	870
GF35DO	35	30	25	83	103	61	47	39.7	55	80	196	6	1500
GF40DO	40	35	28	100	119	69	53	45	62	100	300	7	2400
GF45DO	45	40	32	110	132	77	60	50.7	68	127	380	7	3400
GF50DO	50	40	35	123	150	88	66	55.9	75	156	440	6	4400
GF60DO	60	50	44	140	170	100	80	66.8	90	245	570	6	7100
GF70DO	70	55	49	164	197	115	92	77.8	105	315	695	6	10500
GF80DO	80	60	55	180	231	141	105	89.4	120	400	780	6	15000
GF90DO	90	65	60	226	263	150	115	98.1	130	490	1340	5	23500
GF100DO	100	70	70	250	295	170	130	110	150	610	1500	7	31500
GF110DO	110	80	70	295	333	185	140	121	160	655	2160	6	48500
GF120DO	120	90	85	360	390	210	160	136	180	950	3250	6	79000



L-Balls joint Rod End

SQ...C



Material	
Ball	Chromium Steel GCr15,heat treated,phard chrome plated
Liner	PTFE
Body	Low carbon steel,heat treated,nickle plated

Bearing Number	Boundary Dimensions (mm)																Ratings	α	Weight (g)
	d	d1	l	l1	l2	l3	d2	S1	L	L1	L2	L3	D1	D2	D3	S2	Cd		
SQ5C	5	M5X0.8	30	8	10	21	9	7	36	27	4	14	9	12	18	10	12	25	27
SQ6C	6	M6X1	36	11	11	26	10	8	41	30	5	14	10	13	20	10	13.8	25	27
SQ8C	8	M8X1.25	44	12	14	31	12	10	49	36	5	17	13	16	25	13	17.5	25	64
SQ10C	10	M10X1.25	52	15	17	37	14	11	58	43	6.5	21	15	19	29	16	25.6	25	106
SQ12C	12	M12X1.25	58	17	19	42	19	16	66	50	6.5	25	18	22	31	18	37.3	25	180
SQ14C	14	M14X1.5	74	22	21	56	19	16	75	57	8	26	20	25	35	21	51	25	260
SQ16C	16	M16X1.5	80	23	23	60	22	18	84	64	8	32	22	27	39	24	59	25	335